

Tracking Rollers

150 - 155

- 11.1 Flat tracking rollers
- 11.2 Dual tracking rollers
- 11.3 Troughing tracking roller
- 11.4 Reverse belt tracking roller

11.1 - Tru-Trac Tracking Rollers

FaBa supplies a full range of self-aligning idlers for tracking both the return and load-carrying sides on slow moving, reversible, high speed and high-load belts.



FaBa employs a unique and highly effective tracking action which is non-damaging to the belt and kicks-in immediately if the belt begins to drift off centre.

Because it does not rely on contact with the belt edge in order to guide the belt, belt edge damage, which occurs frequently with other tracking systems, is avoided.



FaBa has special tapers (similar to a crown pulley) on the outer edge of the tracker, which cause the drum of the tracking roller to pivot about an internal, vertical pivot axis.

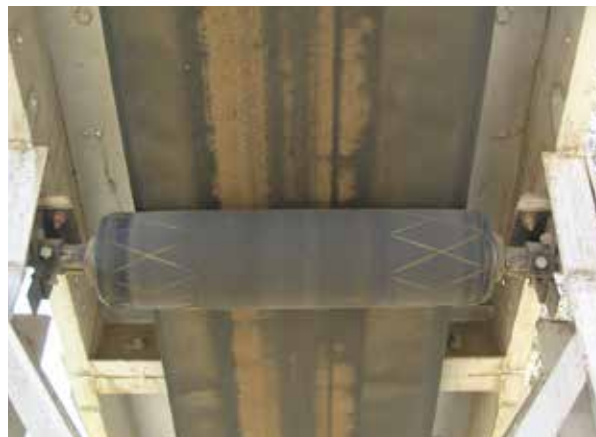
The internal central pivot is perpendicular to the belt and this results in the tracking action always being on the same horizontal plane as the belt. For this reason the tracking rollers equal well with reversible and shuttle conveyors.

Advantage

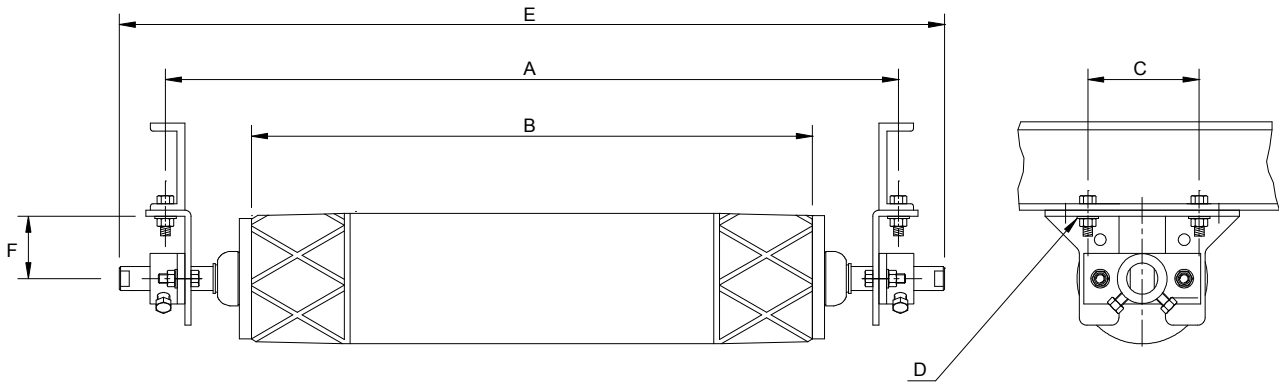
- ✓ Simple to install
- ✓ Maintenance free
- ✓ No contact with the edge of the belt
- ✓ Vibration free rolling action
- ✓ Operates on reversible belts
- ✓ Can be installed inside or under the belt.

Results

- ✓ Increased production and reduced downtime
- ✓ Reduced damage to conveyor belt edges and structures
- ✓ Increased conveyor life
- ✓ Reduced spillage and wastage
- ✓ Reduced labour involved in clearing spillages
- ✓ Reduced power consumption
- ✓ Reliable



11.2 - TECHNICA DATA - Tru-Trac Flat Return Tracker

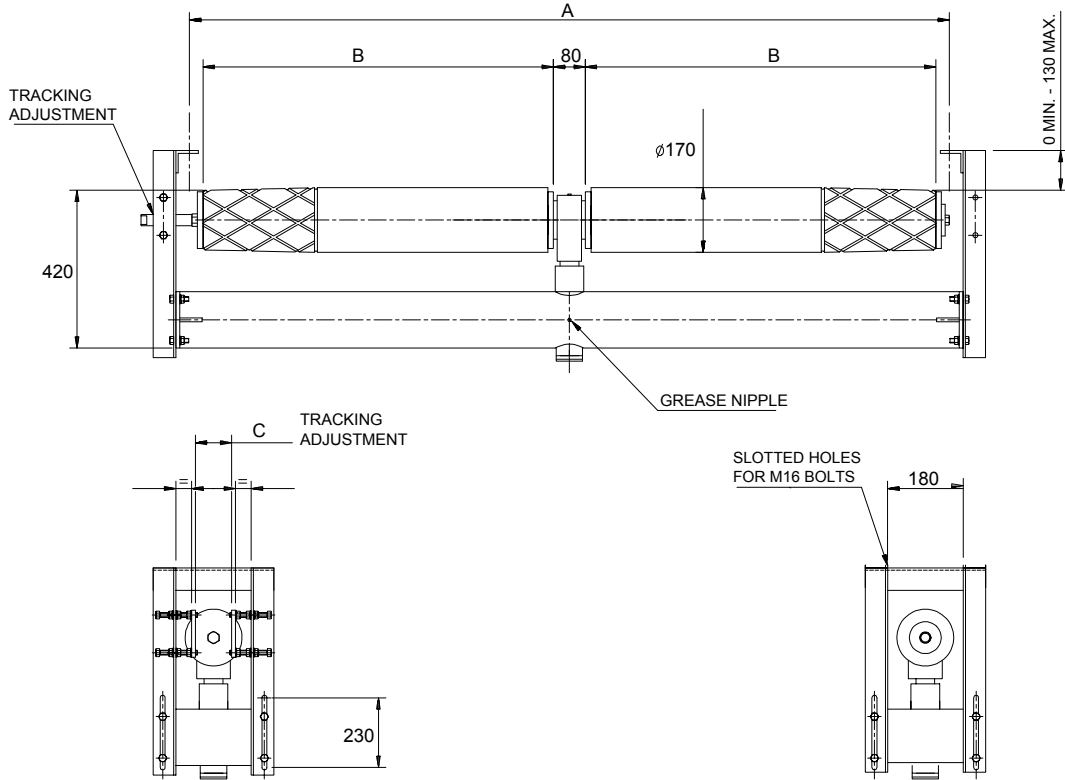


Part No.	Belt width	A	B	C Min - Max	(Slot)	E	(Kg)
3935000450	450	686	490	85 - 200	14 X 70	850	33
3935000500	500	736	540	85 - 200	14 X 70	900	35
3935000600	600	838	640	85 - 200	14 X 70	1000	37
3935000650	650	890	690	85 - 200	14 X 70	1050	39
3935000750	750	990	790	85 - 200	14 X 70	1150	42
3935000800	800	1040	840	85 - 200	14 X 70	1200	45
3935000900	900	1144	940	85 - 200	14 X 70	1300	49
3935001000	1000	1240	1040	85 - 200	14 X 70	1400	52
3935001050	1050	1296	1090	85 - 200	14 X 70	1450	53
3935001200	1200	1448	1240	85 - 200	14 X 70	1600	59
3935001350	1350	1600	1390	85 - 200	14 X 70	1780	71
3935001400	1400	1700	1440	85 - 200	14 X 70	1830	74
3935001500	1500	1752	1540	85 - 200	14 X 70	1930	78

All dimensions in mm

Non standard trackers can be made to customer specifications

11.2 - TECHNICA DATA - Tru-Trac Dual Return Tracker

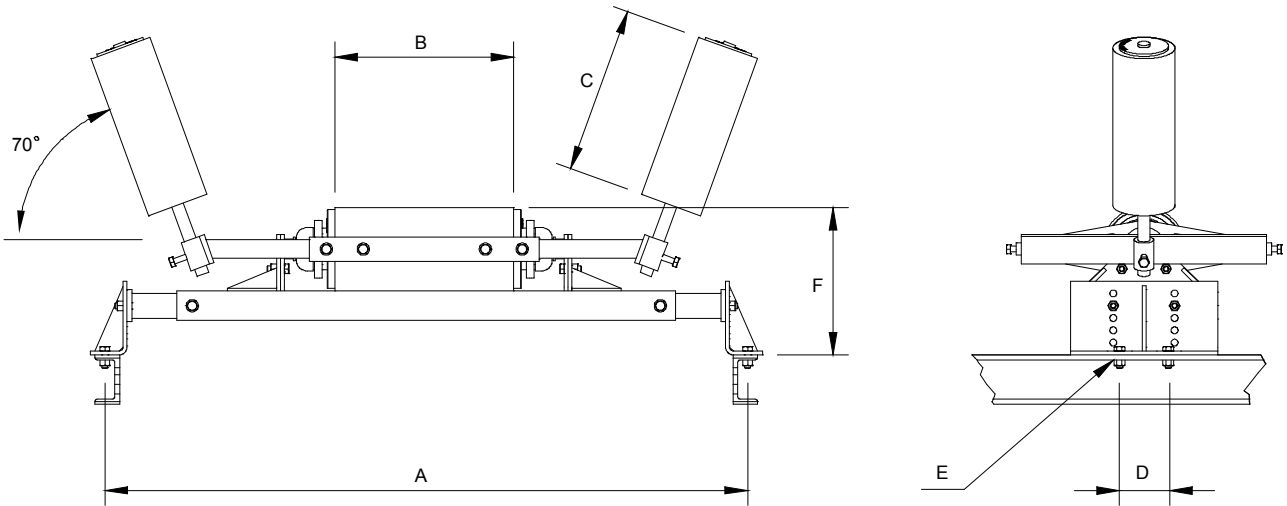


Part No.	Belt width	A	B	C (For ideal included Angle = 4, 5°)	Weight (Kg)
3935100350	1350	1600	675	92	132
3935101400	1400	1700	725	94	134
3935101500	1500	1752	750	98	139
3935101650	1600	1900	825	102	143
3935101650	1650	1904	825	104	145
3935101800	1800	2058	900	110	165
3935102000	2000	2210	1010	118	169
3935102100	2100	2362	1060	122	173
3935102200	2200	2420	1110	126	178
3935102300	2300	2515	1160	130	181
3935102450	2400	2668	1210	134	185
3935102500	2500	2770	1260	138	190
3935102600	2600	2820	1280	142	195

All dimensions in mm

Non standard trackers can be made to customer specifications

11.3 - TECHNICA DATA - Tru-Trac Trough Tracker



Compatible with all troughing angles

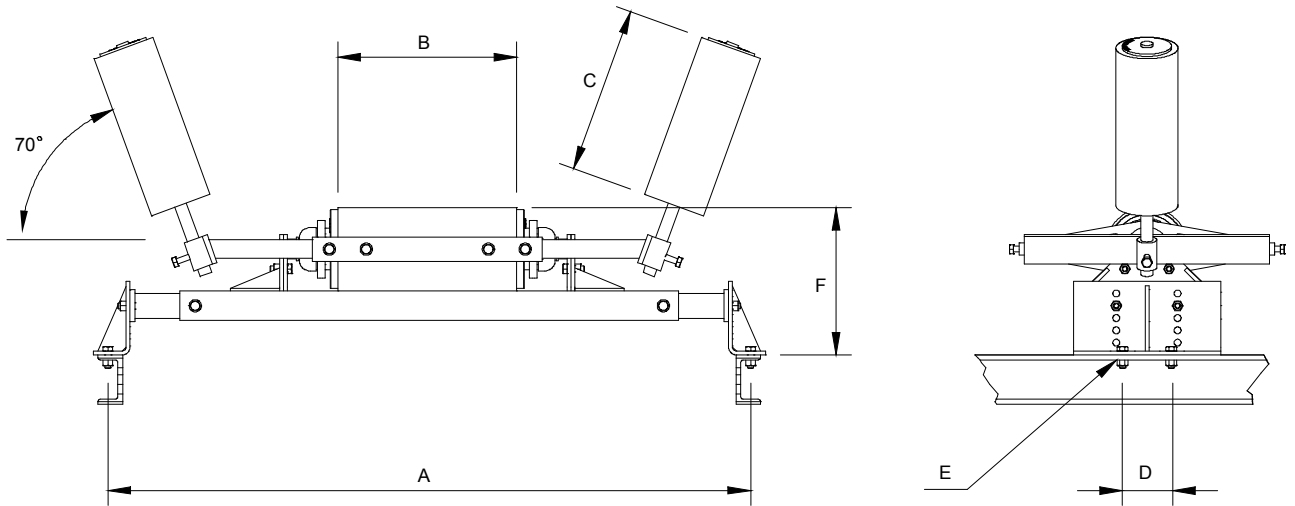
Part No.	Belt width	A	B	C	D	E	F	Weight (Kg)
					Min - Max	(Slot)	Min - Max	
3935800450	450	686	265	240	100 - 160	16 x 45	200 - 300	34
3935800500	500	736	265	240	100 - 160	16 x 45	200 - 300	34
3935800600	600	838	365	240	100 - 160	16 x 45	200 - 300	43
3935800650	650	890	365	240	100 - 160	16 x 45	200 - 300	43
3935800750	750	990	365	240	100 - 160	16 x 45	200 - 300	44
3935800800	800	1040	365	240	100 - 160	16 x 45	200 - 300	44
3935800900	900	1144	465	340	170 - 300	20 x 80	210 - 330	55
3935801000	1000	1240	465	340	170 - 300	20 x 80	210 - 330	55
3935801050	1050	1296	465	340	170 - 300	20 x 80	210 - 330	56
3935801200	1200	1448	465	340	170 - 300	20 x 80	210 - 330	57
3935801350	1350	1600	640	450	170 - 300	20 x 80	210 - 330	75
3935801400	1400	1700	640	450	170 - 300	20 x 80	210 - 330	78
3935801500	1500	1752	640	450	170 - 300	20 x 80	210 - 330	82
3935801600	1600	1900	640	450	170 - 300	20 x 80	210 - 330	116
3935801650	1650	1904	640	450	170 - 300	20 x 80	210 - 330	121
3935801800	1800	2058	640	450	170 - 300	20 x 80	210 - 330	130

All dimensions in mm

Non standard trackers can be made to customer specifications

10.4 - TECHNICA DATA - Tru-Trac Trough Reversible Tracker

Outside rubberised drum = 170 Dia *



Compatible with all troughing angles

Part No.	Belt width	A	B	C	D Min - Max	E (Slot)	F Min - Max
3935900600	600	838	265	240	65 - 135	15 x 50	215 - 315
3935900650	650	890	265	240	65 - 135	15 x 50	215 - 315
3935900800	800	1040	365	240	65 - 135	15 x 50	215 - 315
3935900900	900	1144	365	340	65 - 135	15 x 50	215 - 315
3935901000	1000	1240	365	340	65 - 135	15 x 50	215 - 315
3935901200	1200	1448	465	340	65 - 135	15 x 50	215 - 315

All dimensions in mm

*170 dia, represents the minimum diameter, the actual dia can vary between 170 to 174

Non standard trackers can be made to customer specifications